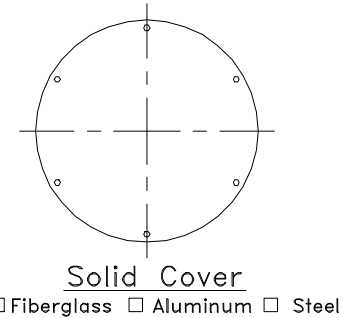


PUMP INFORMATION

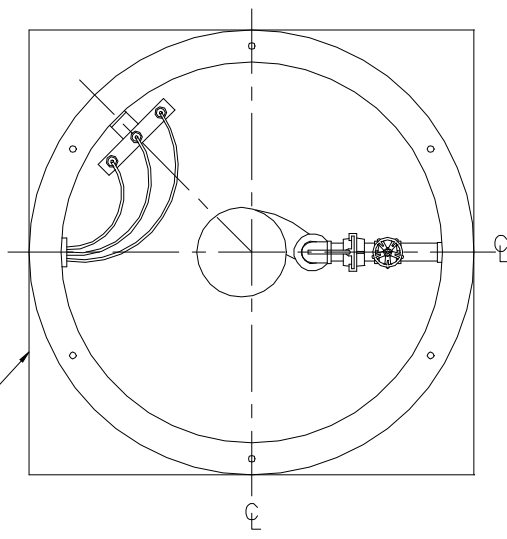
- Type: Sump Pump(s)
 Grinder Pump(s)
 Non-Clog Pump(s)

Model NO: _____
 Rating: _____ GPM _____ TDH
 Motor: _____ HP _____ RPM
 Elec: _____ PH _____ HZ _____ v
 Elec: _____ FL AMPS

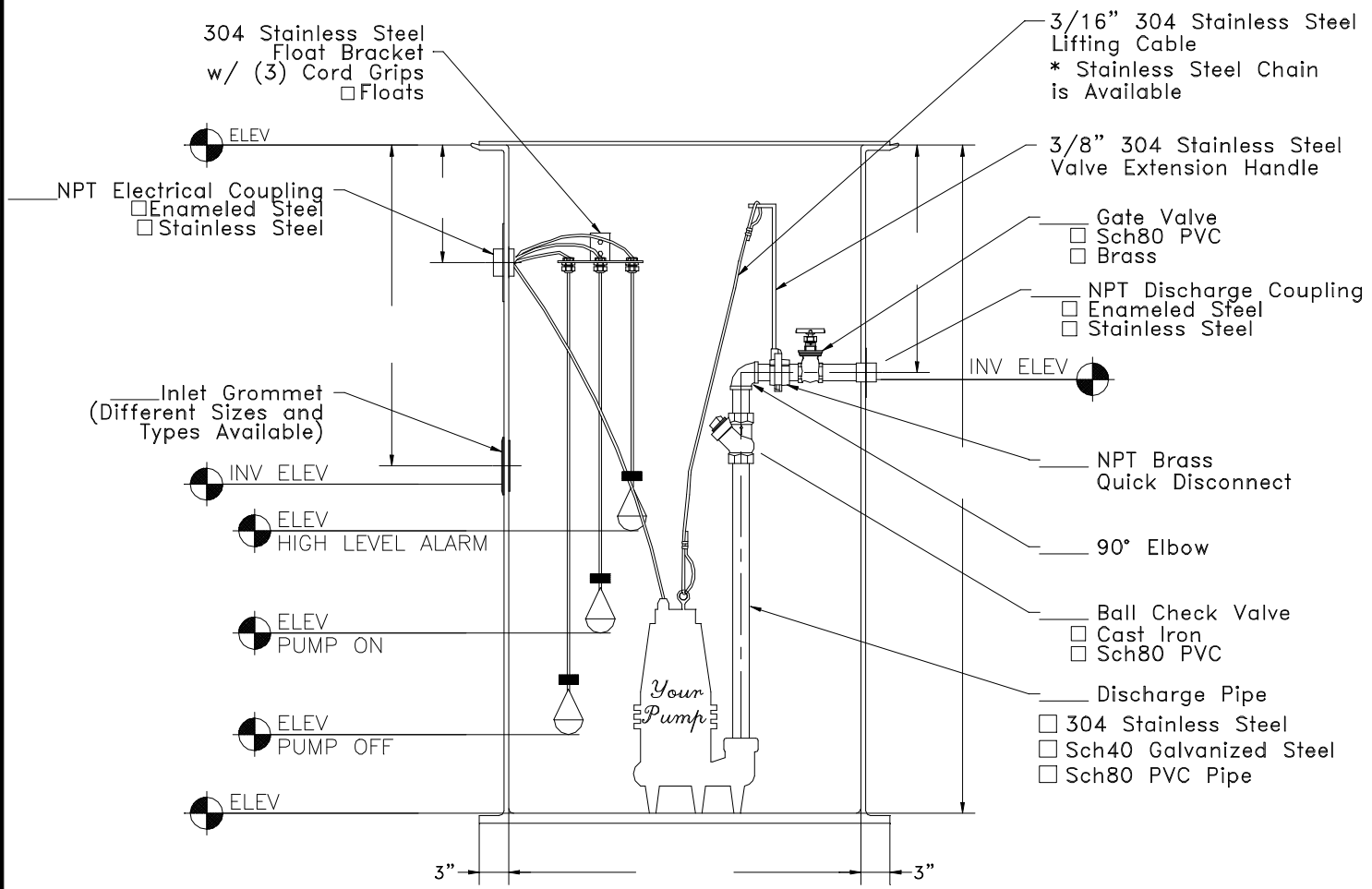


DISCHARGE PIPE

- 304 Stainless Steel
 Sch40 Galvanized Steel
 Sch80 PVC Pipe
 1 1/4"
 2"



- Anti-Floatation Flange
 Fiberglass Encapsulated
 ASTM A-36 Square Steel
 Round Fiberglass
 None



- 304 Stainless Steel
 Float Bracket
 w/ (3) Cord Grips
 Floats

- 3/16" 304 Stainless Steel
 Lifting Cable
 * Stainless Steel Chain
 is Available

- 3/8" 304 Stainless Steel
 Valve Extension Handle

- Gate Valve
 Sch80 PVC
 Brass

- NPT Discharge Coupling
 Enameled Steel
 Stainless Steel

- NPT Brass
 Quick Disconnect

- 90° Elbow

- Ball Check Valve
 Cast Iron
 Sch80 PVC

- Discharge Pipe
 304 Stainless Steel
 Sch40 Galvanized Steel
 Sch80 PVC Pipe



Non-Guiderrail Prefabricated Fiberglass
 Simplex Lift Station
 Reference: Non-Guiderrail Simplex
 Highway 25 North P.O. Box 420
 Rochester, IN 46975
 Phone: 800/354-4534 Fax: 574/223-6106

Scale: None
 Drawn By: RM
 App'd By: .
 Date: 05/16/03

This print is and contains confidential proprietary information owned exclusively by TOPP INDUSTRIES, INC. It is furnished on a strictly confidential basis. This restriction includes, but is not limited to the condition that this print will not only be used as a record or to identify or inspect parts or for other information purposes and will not be used to manufacture or procure the manufacture of the items shown in this print by any other source than TOPP INDUSTRIES, INC.

Supersedes Prints
 Prior To: 05/16/03

Reference No: 10148

Revisions

A	First Released.