

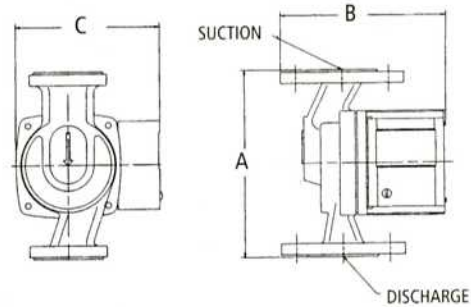
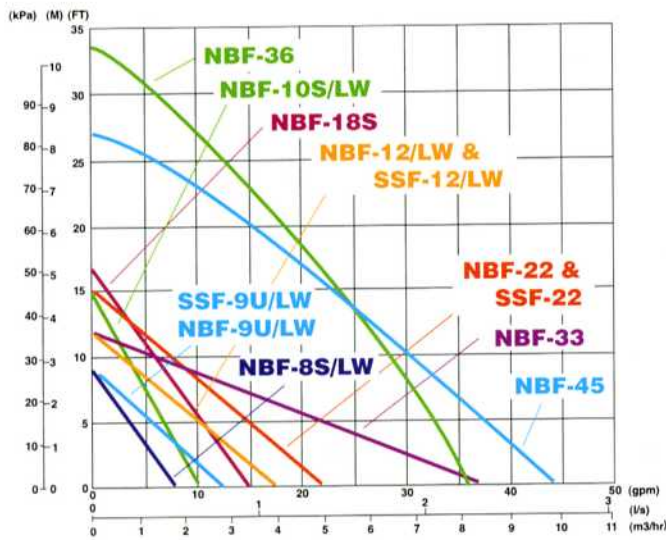
Maintenance-Free Circulators 100% Lead-Free Wet Rotor for Potable Water Applications



Operating Data

Maximum working pressure150 psi (10.3 bar)
 Maximum operating temperature
 NBF-33 225°F (107°C)
 All Others 230°F (110°C)

See page 8 for accessories



Bronze Circulators

Model Number	Part Number	Connection	Dimensions Inches (mm)			Standard 60Hz Motor Characteristics ¹				Approx. Shpg. Wt. lbs (Kg)	
			A	B	C	Watts	Ø	Voltage	F.L. Amps		RPM
NBF-8S/LW	103257	1/2" Sweat	5 (127)	5-7/32 (132)	4-7/8 (124)	39	1	115	0.39	2800	9.0 (4.1)
NBF-9U/LW	103258	Union ²	6-1/8 (156)	5-1/16 (129)	4-7/8 (124)	41			0.40		9.3 (4.2)
NBF-10S/LW	103259	1/2" Sweat	5 (127)	5-7/32 (132)	4-7/8 (124)	55			0.46		9.0 (4.1)
NBF-12F/LW	103260	Flange 3/4, 1, 1-1/4, 1-1/2	6-3/8 (162)	5-9/16 (141)	4-7/8 (124)	55			0.48		9.5 (4.3)
NBF-12U/LW	103261	Union ²	6-1/8 (156)	5-1/16 (129)	4-7/8 (124)	55			0.48		9.3 (4.2)
NBF-18S	103316	1/2" Sweat	5 (127)	5-7/32 (132)	4-7/8 (124)	90			0.74		9.0 (4.1)
NBF-22	103252	Flange 3/4, 1, 1-1/4, 1-1/2	6-3/8 (162)	5-9/16 (141)	4-7/8 (124)	92			0.80		9.5 (4.3)
NBF-22U	103255	Union ²	6-1/8 (156)	5-1/16 (129)	4-7/8 (124)	92			0.80		9.3 (4.2)
NBF-33	103351	Flange 3/4, 1, 1-1/4, 1-1/2	6-3/8 (162)	6-3/16 (157)	5-1/8 (130)	125			1.10		10.4 (4.7)
NBF-36 ⁴	103401	Flange 3/4, 1, 1-1/4, 1-1/2	6-3/8 (162)	6-7/8 (175)	5-3/4 (146)	260			2.30		12.9 (5.6)
NBF-45 ⁴	103405	Flange 1, 1-1/4, 1-1/2	8-1/2 (216)	7-3/8 (187)	5-7/8 (149)	260			2.30		14.4 (6.5)

New

Stainless Steel Circulators

Model Number	Part Number	Connection	Dimensions Inches (mm)			Standard 60Hz Motor Characteristics ¹				Approx. Shpg. Wt. lbs (Kg)	
			A	B	C	Watts	Ø	Voltage	F.L. Amps		RPM
SSF-9U/LW	103360	Union ²	6-1/8 (156)	5-1/16 (129)	4-7/8 (124)	41	1	115	0.40	2800	9.3 (4.2)
SSF-12F/LW	103358	Flange 3/4, 1, 1-1/4, 1-1/2	6-3/8 (162)	5-9/16 (141)	4-7/8 (124)	55			0.48		9.5 (4.3)
SSF-12U/LW	103361	Union ²	6-1/8 (156)	5-1/16 (129)	4-7/8 (124)	55			0.48		9.3 (4.2)
SSF-22	103357	Flange 3/4, 1, 1-1/4, 1-1/2	6-3/8 (162)	5-9/16 (141)	4-7/8 (124)	92			0.80		9.5 (4.3)
SSF-22U	103362	Union ²	6-1/8 (156)	5-1/16 (129)	4-7/8 (124)	92			0.80		9.3 (4.2)

Pumps with Timers and 12' Plug-in Cords

Model Number	Part Number	Connection	Dimensions Inches (mm)			Standard 60Hz Motor Characteristics ¹				Approx. Shpg. Wt. lbs (Kg)	
			A	B	C	Watts	Ø	Voltage	F.L. Amps		RPM
NBF-8S/TP	103408	1/2" Sweat with timer & 12' plug-in cord	5 (127)	5-7/32 (132)	6-7/8 (176)	39	1	115	0.39	2800	10.0 (4.5)
NBF-10S/TP	103409	1/2" Sweat with timer & 12' plug-in cord	5 (127)	5-7/32 (132)	6-7/8 (176)	55			0.46		10.0 (4.5)
NBF-9U/TP	103410	Union ² with timer & 12' plug-in cord	6-1/8 (156)	5-1/16 (129)	6-7/8 (176)	41			0.40		10.3 (4.7)
SSF-9U/TP	103411	Union ² with timer & 12' plug-in cord	6-1/8 (156)	5-1/16 (129)	6-7/8 (176)	41			0.40		10.3 (4.7)
NBF-8S/P	103412	1/2" Sweat & 12' plug-in cord	5 (127)	5-7/32 (132)	6-7/8 (176)	39			0.39		10.0 (4.5)
NBF-10S/P	103413	1/2" Sweat & 12' plug-in cord	5 (127)	5-7/32 (132)	6-7/8 (176)	55			0.46		10.0 (4.5)
NBF-9U/P	103414	Union ² with 12' plug-in cord	6-1/8 (156)	5-1/16 (129)	6-7/8 (176)	41			0.40		10.3 (4.7)
SSF-9U/P	103415	Union ² with 12' plug-in cord	6-1/8 (156)	5-1/16 (129)	6-7/8 (176)	41			0.40		10.3 (4.7)

Dimensions are approximate and subject to change. Contact factory for certified dimensions.

1. Impedance protected
2. Union Connections are available in 3/4" NPT, 1/2" sweat & 3/4" sweat.
3. NBF models are bronze, SSF are stainless steel
4. NBF-36, NBF-45 are three-speed circulators, high speed performance curve shown.

