

# SUMP & SEWAGE SUMP/EFFLUENT PUMPS

ESP33

Water Systems

Sump and Sewage

Lawn and Sprinkler

Electric Motor Driven

Engine Driven

Frame Mount

Hand Pumps

Irrigation and Industrial



ESP33AM

## ESP33 SERIES SUBMERSIBLE SUMP PUMP

**SOLIDS HANDLING CAPABILITY** - 1/2"

**CONSTRUCTION** - Rugged cast iron motor housing dissipates heat away from motor. Cast Iron pump casing. P models have thermoplastic motor cover and casing.

**MOTOR** - 115 volt thermal overload protected, CSA approved continuous duty "oil free" motor. Stainless steel heat treated shaft, upper and lower permanently lubricated ball bearings, permanently lubricated double lip seal. 5.6 full load amps.

**IMPELLER** - 5 vane reinforced polypropylene, handles 1/2" spherical solids - with brass insert.

**SWITCH** - Automatic with piggy-back mercury free mechanical float switch or vertical float switch. Also available in manual operation.

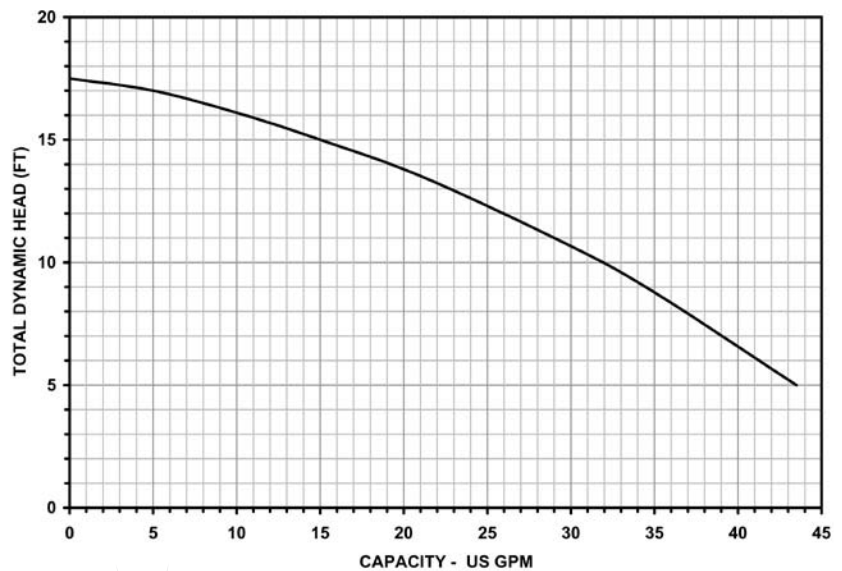
**POWER CORD** - 10 ft. power cord

**DISCHARGE** - 1 1/2" NPT. Reducer bushing for 1 1/4" discharge included.



ESP33AM-P

### Performance

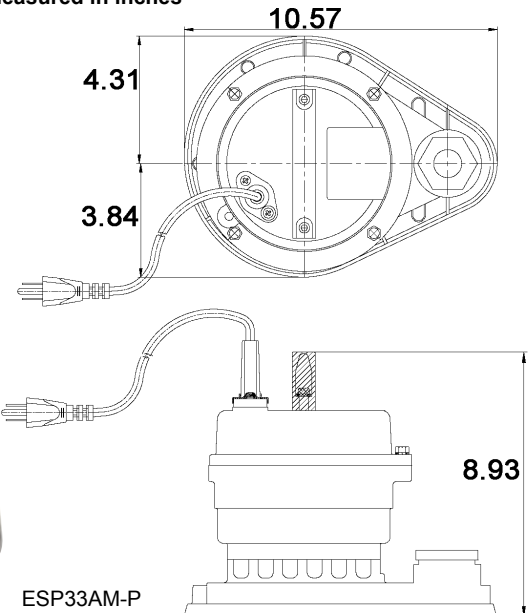


**NEW!**  
**2 Year**  
**Warranty**

Model No.	PERFORMANCE CHART				Shut-Off Head (ft.)
	Total Head in Feet				
	5	10	15	20	
	Capacities in U.S. GPM				
ESP33	44	33	13	0	17.5

### Dimensions

\*Dimensions measured in inches



SUBMERSIBLE SUMP/EFFLUENT PUMPS - 1 1/2" - 1 1/4" DISCHARGE					
Model No.	Order No.	SFA	HP	Ship Wt. (lbs.)	Description
ESP33AM	620186	5.6	1/3	20	Automatic, with piggy-back float switch and 10 ft. cord. Cast iron motor cover.
ESP33AM-P	620185	5.6	1/3	19	Automatic, with piggy-back float switch and 10 ft. cord. Thermoplastic motor cover.
ESP33AV	620120	5.6	1/3	20	Automatic, with vertical float switch and 10 ft. cord.
ESP33M	620089	5.6	1/3	17	Manual, with 10 ft. cord.
ESP33AV-P	620121	5.6	1/3	19	Automatic, with vertical float switch and 10 ft. cord. Thermoplastic motor cover.